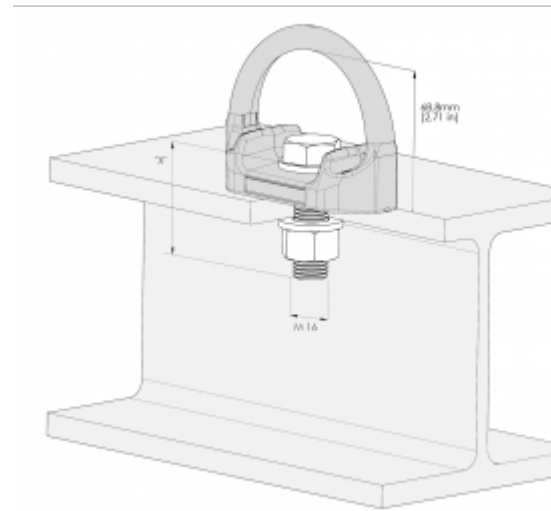


Data sheet

## D-BOLT AP-063-GPS TYP 50



### GENERAL

Art. no.: AP-TYP-50  
EAN: 4030281277552

E-class number: 40-02-01-90  
Customs no.: 73269098

## Data sheet

### D-BOLT AP-063-GPS TYP 50

The single anchor point TYPE-50 from the D-BOLT series is made of stainless steel and tested according to EN 795/A:2012 and CEN/TS 16415 for a load application of up to three persons. A fastening set consisting of a bolt and nut is already included in the scope of delivery. The statics of the construction must correspond to the expected loads (min. 14 kN).

- Made of stainless steel
- EN 795/A:2012 and CEN/ TS 16415
- Load capacity up to three persons

#### FEATURES

Max. service life: 10 Years

---

#### DIMENSIONS

Weight: 0,93 kg

---