

Product leaflet

Product	Model No.	Ordering No.
Half mask	SR 100 S/M	H01-2112
	SR 100 M/L	H01-2012
	SR 100 L/XL	H01-2812

Product Description

The SR 100 half mask is made of silicone in three sizes, i.e. S/M, M/L and L/XL. The mask is equipped with two exhalation valves, which ensures very low exhalation resistance. The valve covers with partitions effectively protect the exhalation membrane against dust and paint mist. The material and pigment of the mask body are approved by FDA and BGA for foods, which minimizes the risk of contact allergies. The easily adjustable elastic head harness straps of the mask are designed as a V-shaped loop and have a large dished crown plate, which contributes towards a comfortable and safe fit. The mask is used either as a filtering device in combination with filters from the Sundström range, or in combination with the SR 307 compressed air attachment which then serves as a breathing apparatus with continuous flow for connection to a compressed air supply. A pre-filter holder is supplied. Best stored in box SR 230 or storage case SR 339.

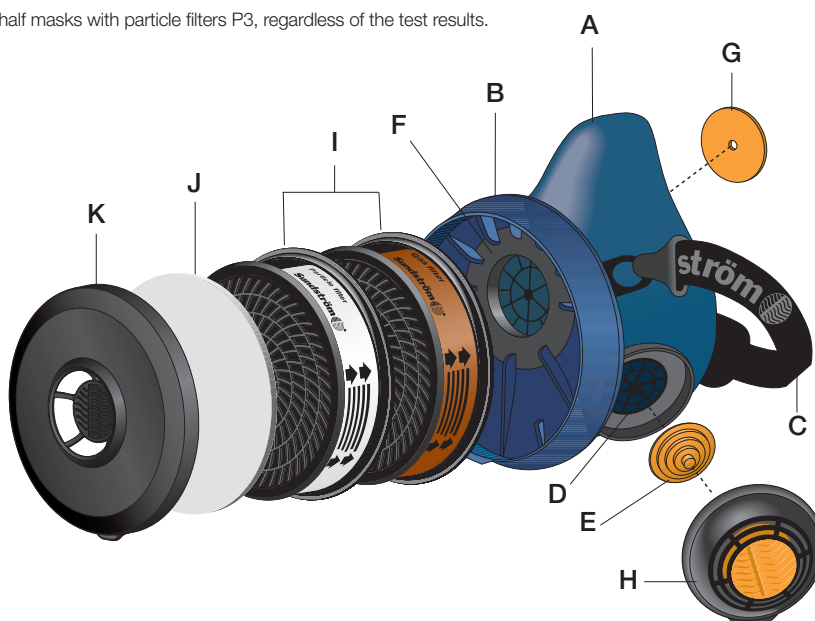
Technical specification

	SR 100	EN 140:1998
Inhalation resistance at 30 l/min	≈ 3 Pa	≤ 50 Pa
Exhalation resistance at 160 l/min	≈ 70 Pa	≤ 300 Pa
Service temperature	-10 – +55 °C, < 90 % RH	-
Storage temperature	-20 – +40 °C, < 90 % RH	-
Weight	≈ 179 g	-
Assigned Protection Factor ¹	20 (P3) 10 (GasX) 10 (GasX P3)	- - -
Nominal Protection Factor ²	48 (P3) 50 (GasX) 48 (GasX P3)	- - -
Approval	EN 140:1998	

1) Specified in BS 4275, and applies generally to all half masks with particle filters P3, regardless of the test results.

2) According to EN 529:2005.

- A. Mask body
- B. Filter attachment
- C. Head harness straps
- D. Exhalation valve seat
- E. Exhalation membrane
- F. Inhalation valve seat
- G. Inhalation membrane
- H. Protective cap
- I. Filters (not included)
- J. Pre-filter
- K. Pre-filter holder



Head Office

Tel: +46-(0)8-562 370 00
Fax: +46-(0)8-562 370 20

Visiting address:
Stockholmsvägen 33
SE-181 33 Lidingö

Factory

Tel: +46-(0)8-562 370 00
Fax: +46-(0)8-562 370 60

Visiting address:
Västergatan 4
SE-341 50 Lagan

Sundström 
www.srsafety.com

Size guide SR 100

The SR 100 half mask (APR) is made of silicone and available in three sizes, S/M, M/L & L/XL.

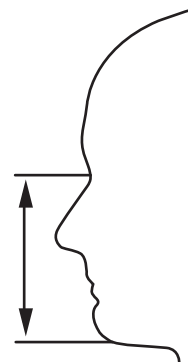
Perfect fit means great protection and the chart below will give you a guidance about which size to choose. It is important to have an air tight seal or the respirator will leak.



Take the measurements

From the chin to the bridge of the nose.

S/M	< 112 mm / 4 ^{13/32} "
M/L	112 mm – 125 mm / 4 ^{13/32} " – 4 ^{59/64} "
L/XL	> 125 mm / 4 ^{59/64} "



S/M



M/L



L/XL

Perfect fit means great protection



1 Check the mask. Sling the neck strap over your head before fitting it to your face.

2 Start with the chin, then cup the mask over your mouth and nose.

3 Pull the head strap over your head and position it on the crest of your head. Never fit the harness over a cap or a hard hat.

Tighten the head harness at the buckle until the mask is tight but comfortable against your face.

4 Pull the bottom straps outwards a few times to even out the tension and to make sure the top head strap is tight and secure.



Negative user seal check

Place the palm of your hand lightly over the hole on the pre-filter holder to make it tight.

Do not push so hard that the respirator's shape is affected.

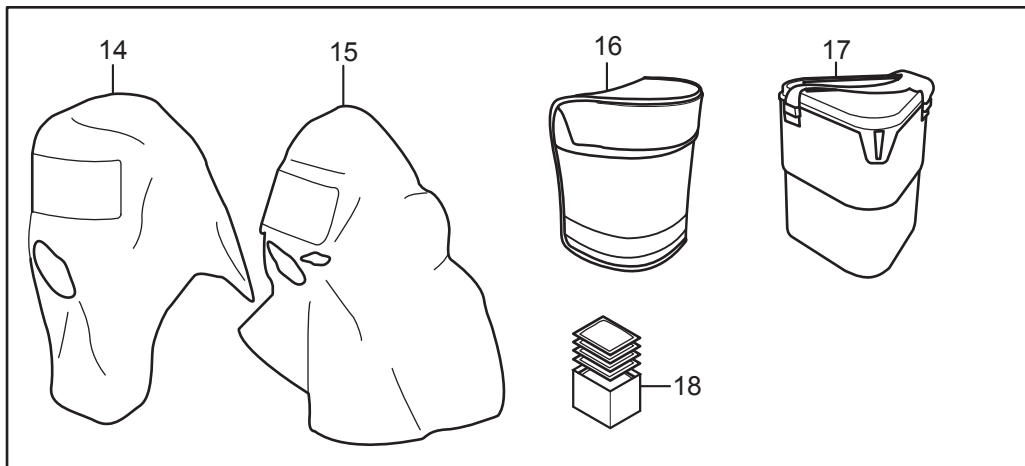
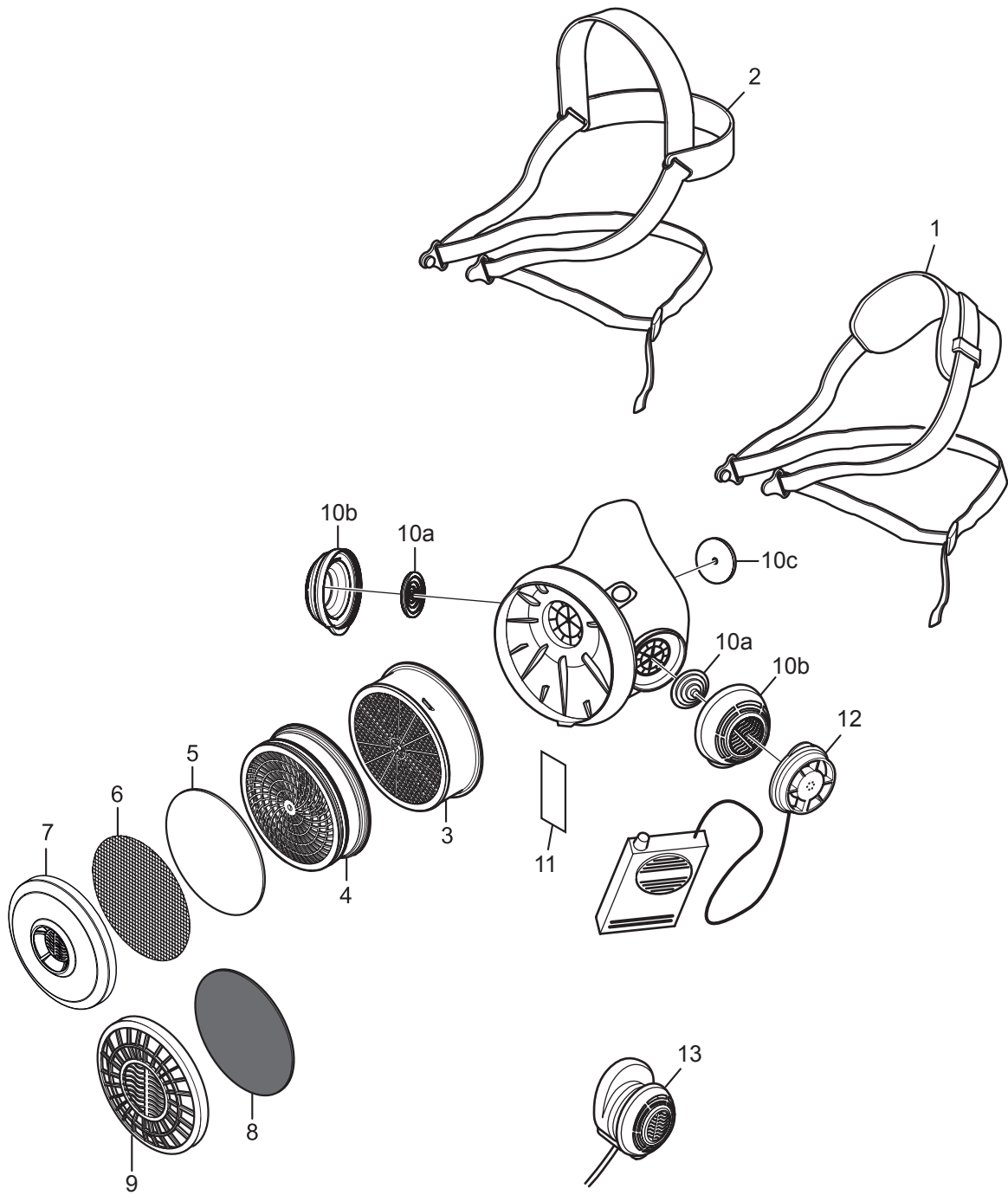
Take a deep breath and hold your breath for about 10 s. If the mask is tight, it will be pressed against your face.



NOTE! If any leakage is detected, check the inhalation and exhalation valves, adjust the straps of head harness or switch to alternative size of the respirator. Repeat the fit check until there is no leakage.

SR 100, SR 90-3

Spare parts / Accessories



No.	Description	Ordering No.
1.	Head harness SR 363, single strap	R01-2001
2.	Head harness sr 362, cradle strap	R01-2002
3.	Gas filter (SR 217 A1, SR 218 A2, SR 315 ABE1, SR 294 ABE2, SR 297 ABEK1, SR 298 AX, SR 316 K1, SR 295 K2, SR 299-2 ABEK-Hg-P3R)	-
4.	Particle filter SR 510 P3 R	H02-1312
5.	Pre-filter SR 221	H02-0312
6.	Steel net disc SR 336	T01-2001
7.	Pre-filter holder	R01-0605
8.	Test disc SR 322	R01-0303
9.	Pre-filter holder SR 5153	R01-0604
10.	Membrane kit	R01-2004
10a.	Exhalation x2	-
10b.	Valve covers x2	-
10c.	Inhalation x1	-
11.	Name label SR 368	R09-0101
12.	Small talk/Voice amplifier SR 324	T01-1217
13.	Test adapter SR 328	T01-1202
14.	Protective hood SR 64	H09-0301
15.	Protective hood short SR 345	H09-1012
	Protective hood long SR 346	H09-1112
16.	Storage bag SR 339	H09-0112
17.	Storage box SR 230	H09-3012
18.	Cleaning tissue SR 5226. Box of 50.	H09-0401
	Service kit contains:	R01-2005
1.	Head harness SR 363, single strap x1	-
7.	Pre-filter holder x1	-
10.	Membrane kit x1	-

Product leaflet

Product
Pre-filter

Model No.
SR 221

Ordering No.
H02-0312

Product Description

Pre-filter SR 221 is a disc that is meant to catch coarse particles and by that extend the lifetime of the particle filters SR 510 P3 R and SR 710 P3 R, combined filter SR 299-2 ABEK1-Hg-P3 R and SR 599 A1BE2K1-Hg-P3 R.

The pre-filter is placed in the pre-filter holder and then snapped on to the particle filter or combined filter.

Technical specification

SR 221	
Material	Polyester
Thickness	1 mm
Diameter	102 mm
Weight	1.1 g
Pressure drop at 30 l/min	2 Pa
Approval	CE Category 1



Head Office

Tel: +46 10 484 87 00

Visiting address:
Stockholmsvägen 33
SE-181 33 Lidingö

Factory

Tel: +46 10 484 87 00

Visiting address:
Västergatan 4
SE-341 50 Lagan

Sundström 
www.srsafety.com

Product leaflet

Product
Particle filter P3 R

Model No.
SR 510

Ordering No.
H02-1312

Product Description

The SR 510, P3 R* particle filter is designed for use in Sundström half masks, full face masks and the SR 500/SR 500 EX/SR 700 fan. The filter provides protection against all types of particulate pollutants. The particle filter can easily be combined with gas filters from the Sundström filter range in order to provide protection also against gases and vapours, e.g. during spray painting. The particle filter should be combined with pre-filter SR 221, which will thereby extend the life of the particle filter.

The SR 500/SR 500 EX fan should always be used with two particle filters or two combined filters consisting of gas filters and particle filters.

*R (Re-useable): The filter is intended to be used for more than a single shift.

Overview of particle filter

Model	Application
SR 510	SR 90-3, SR 100, SR 200, SR 900. Fan SR 500/SR 500 EX/SR 700
SR 710	Fan SR 500/SR 500 EX/SR 700

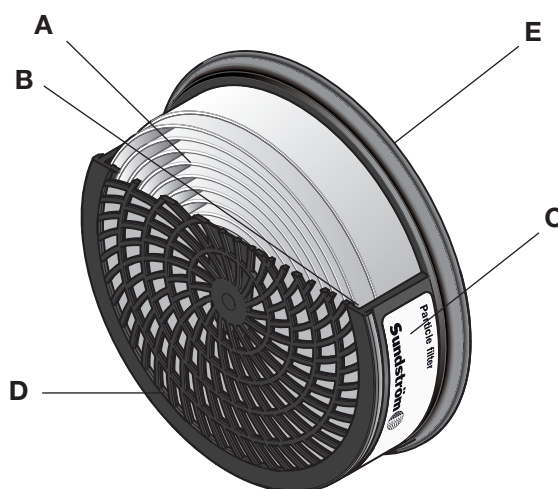
See separate product leaflets.

Technical specification

	SR 510	EN 143:2000	EN 12941:1998	EN 12942:1998
Pressure drop at 30 l/min.	≈ 40 Pa	≤ 120 Pa	-	-
Pressure drop at 95 l/min.	≈ 120 Pa	≤ 420 Pa	-	-
Diameter/height	107/31 mm	-	-	-
Weight	≈ 44 g	≤ 300 g	-	-
Service temperature	-10 – +55 °C, < 90 % RH	-	-	-
Storage temperature	-20 – +40 °C, < 90 % RH	-	-	-
Filtration efficiency, paraffin oil	> 99.997 %	≥ 99.95 %	≥ 99.80 %	≥ 99.95 %

Approvals
EN 143:2000,
EN 12941/12942:1998

- A. Filter medium
- B. Hot-melt adhesive
- C. Marking label
- D. Filter case
- E. Gasket



Head Office
Tel: +46 10 484 87 00

Visiting address:
Stockholmsvägen 33
SE-181 33 Lidingö

Factory
Tel: +46 10 484 87 00

Visiting address:
Västergatan 4
SE-341 50 Lagan

Sundström
www.srsafety.com

Product leaflet

Product	Model No.	Ordering No.
Gas filter A1	SR 217	H02-2512
Gas filter A2	SR 218	H02-2012

Product Description

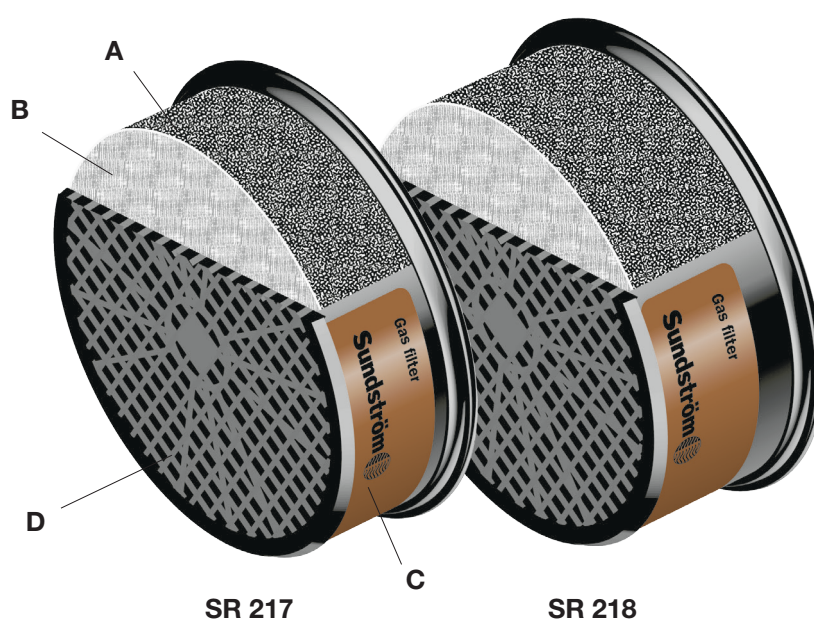
Gas filter SR 217, Class 1, and SR 218 Class 2, are designed for use with Sundström half masks and full face masks. Both filters are of type A and provide protection against organic gases and vapours, such as solvents, with boiling points > +65 °C.

The gas filters can easily be combined with particle filter SR 510 P3 R in order to obtain protection also against aerosols (particles), e.g. during spray painting.

Technical specification

	SR 217 A1	EN 14387:2004 + A1:2008	SR 218 A2	EN 14387:2004 + A1:2008
Pressure drop at 30 l/min	≈ 40 Pa	≤ 100 Pa	≈ 65 Pa	≤ 140 Pa
Diameter/height	106/28 mm	-	106/36 mm	-
Weight	≈ 115 g	≤ 300 g	≈ 135 g	≤ 300 g
Service temperature	-10 – +55 °C, < 90 % RH		-10 – +55 °C, < 90 % RH	
Storage temperature	-20 – +40 °C, < 90 % RH		-20 – +40 °C, < 90 % RH	
Resistance time				
A1, Cyclohexane C ₆ H ₁₂ , 1,000 ppm	> 100 min	≥ 70 min	-	-
A2, Cyclohexane C ₆ H ₁₂ , 5,000 ppm	-	-	> 45 min	≥ 35 min
Approval	EN 14387:2004 + A1:2008		EN 14387:2004 + A1:2008	

- A. Activated carbon
- B. Filter disc
- C. Marking label
- D. Filter case



Head Office
Tel: +46 10 484 87 00
Visiting address:
Stockholmsvägen 33
SE-181 33 Lidingö

Factory
Tel: +46 10 484 87 00
Visiting address:
Västergatan 4
SE-341 50 Lagan

Sundström 
www.srsafety.com